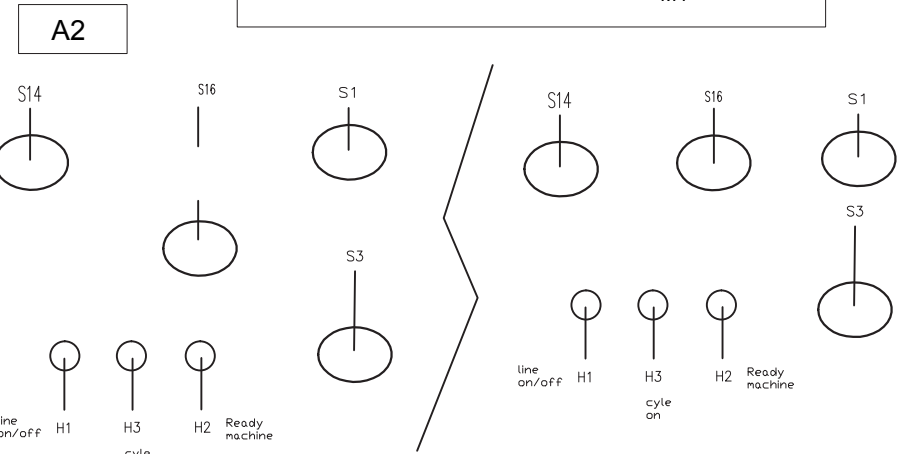
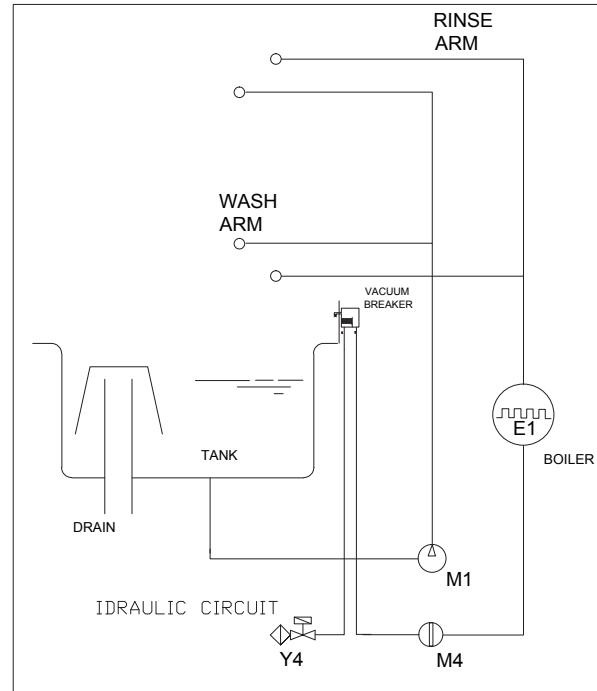
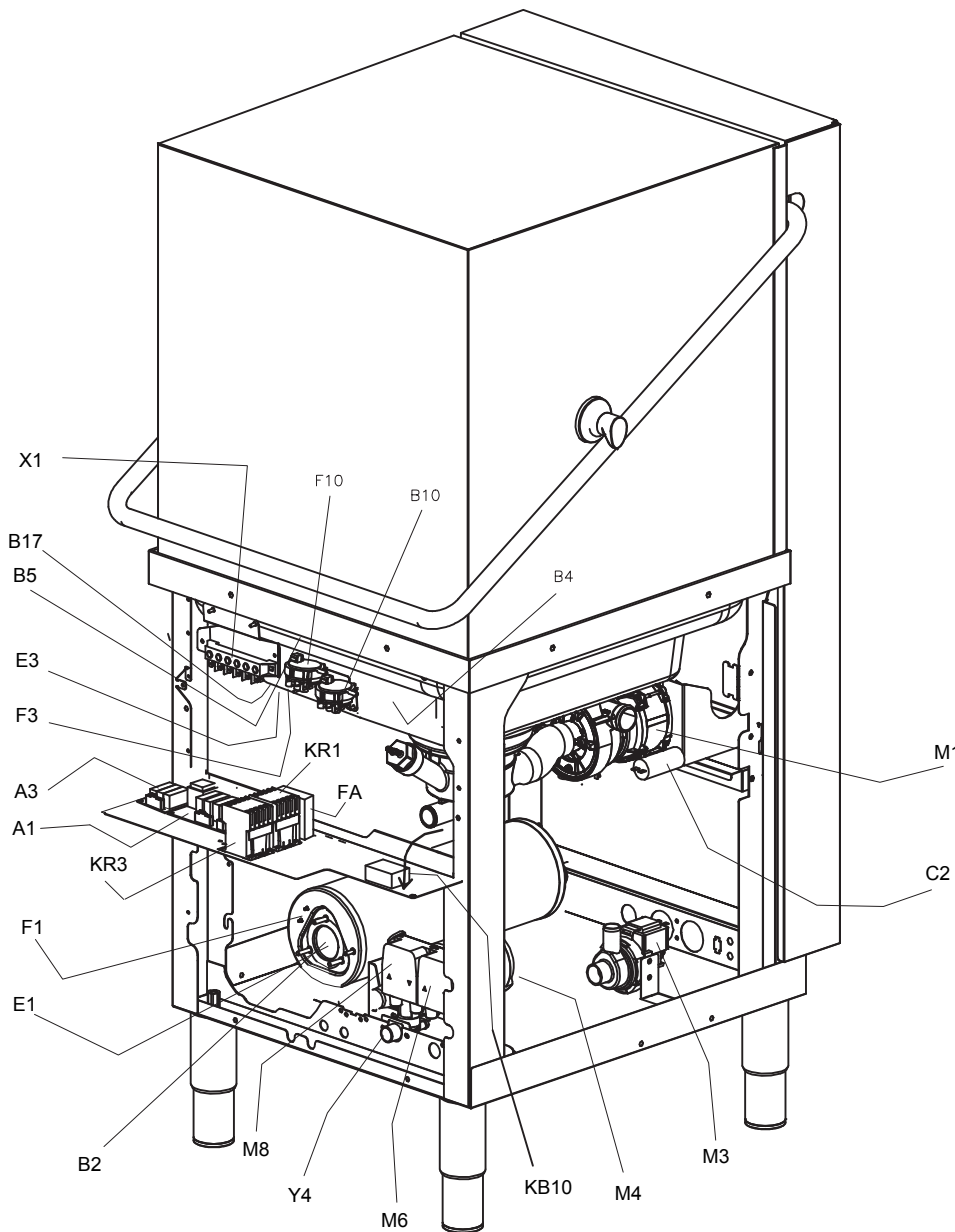


code Machine		denomination	Codice	
re-examined	date/date		81762	
inspected by		Dishwashers	n°/file	mod
validated by	date/date		81804	--
		total blatt	N° blatt	Next blatt
		3	2	-3



DESCRIZIONE	SDSTITUISCE	DATA

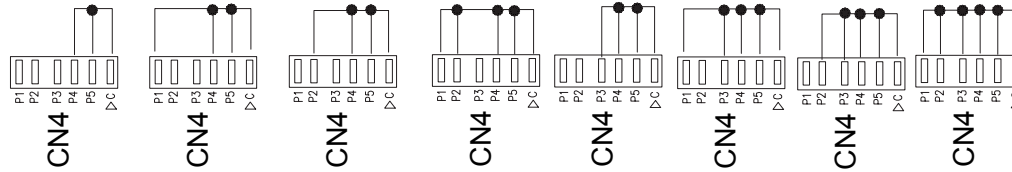
re-examined		date		denomination			Codice	
		22/03/13		WIRING DIAGRAMM			81726	
inspected by		date		Dishwashers			n°/file	
				total blat			81804	
validated by		date		3	N° blat	2	Next blat	-3
							---	

A  
B  
C  
D  
E  
F  
G  
H

S14	PULSANTE DI LINEA MAIN SWITCH	INTERRUPTEUR DE LIGNE NETZSCHALTER		
B5	MICROINTERRUTTORE MAGNETICO MAGNETIC SAFETY MICROSCHWITCH	MICROINTERRUPTEUR MAGNETIQUE MAGNETISCHER SICHERHITSSCHALTER		
S1	INTERRUTTORE DI CICLO CYCLE SWITCH	INTERRUPTEUR DE DEMARRAGE WASCHVORGANGSSCHALTER		
S16	SELETORE CICLO CYCLE COMMUTATOR	SELECTEUR CYCLE WAHLSCHALTER FUER WASCHVORGANGSDAUER		
F1	TERMOSTATO SICUREZZA BOILER SAFETY BOOSTER HEATER THERMOSTAT	THERMOSTAT DE SICURITE DU BOYLER SICHERHEITZUNG		
F3	TERMOSTATO SICUREZZA VASCA SAFETY TANK HEATER THERMOSTAT	THERMOSTAT DE SICURITE CUVE SICHERHEITS- TANKTHERMOSTAT		
E3	RESISTENZA VASCA LAVAGGIO WASH TANK HEATING ELEMENT	RESISTANCE CUVE DE LAVAGE WASHTANKHEIZUNG		
E1	RESISTENZA BOILER BOOSTER HEATER HEATING ELEMENT	RESISTANCE BOYLER BOILERHEIZUNG		
M3	ELETTROPOMPA DI SCARICO DRAIN PUMP			
M4	ELETTROPOMPA AUMENTO PRESSIONE RINSE BOOSTER PUMP	ELECTROPOMPE AUGMENT PRESSION DRUCKSTEIGERUNGSPUMPE		
M6/M8	ELETTRODOSATORE DETERSIVO EL. DETERGENT INJECTOR	DOSEUR EL. DETERGENT SPUEL MITTELDOSIERGERAET		
M1	ELETTROPOMPA LAVAGGIO WASH ELECTRIC PUMP	ELECTROPOMPE LAVAGE ELEKTRISCHE UMAELZPUMPE		
H1 H2 H3	LAMPADE SPIE COMANDI LAMPS ON PANEL CONTROL			
KR1	TELERUTTORE SICUREZZA RESISTENZA BOILER SAFETY BOOSTER HEATER CONTACTOR	CONTACTEUR RESISTANCE BOYLER LUFTSCHUETZ F. BOILERHEIZUNG		
KR3	TELERUTTORE RESISTENZA BOILER BOOSTER HEATER CONTACTOR	CONTACTEUR RESISTANCE BOYLER LUFTSCHUETZ F. BOILERHEIZUNG		
KM2	RELE' ELETTROPOMPA RISCICQUO AUSILIARIO AUXILIARY RINSE PUMP RELAY			
Y4	ELETTROVALVOLA RISCACQUO RINSE SOLENOID VALVE	ELECTROVANNE DE RINCAGE MAGNETVENT FUER NACHSPUELUNG		
FA	FUSIBILE FEUSES			
B4	SONDA CONTROLLO VASCA PROBE TANK HEATER	THERMOSTAT RESISTANCE CUVE THANKHEIZUNG/THERMOSTAT		
B2	SONDA CONTROLLO BOILER BOOSTER HEATER THERMOSTAT	THERMOSTAT RESISTANCE BOYLER BOILERHEIZUNG		
B17	DOPPIO TERMOSTATO SICUREZZA DOUBLE SAFETY THERMOSTAT			
C1/2	CONDESATORE CAPACITOUR			
B10	PRESSOSTATO LIVELLO VASCA TANK PRESSURE SWITCH	PRESSOSTAT NIVEAU AIRGAP TANKDRUCKSCHALTER-NIVEAUREGLER		
M10/A	SCHEDA CONTROLLO ELECTRONIC CONTROL UNIT	FICHE DE CONTROLEELECTRONIQUE ELEKTRONISCHE BEDienungSKARTE		
SIMB.	DESCRIZIONE DESCRIPTION	DESCRIPTION BESCHREIBUNG		

code Machine		denomination		Code	
re-examined	date	WIRING DIAGRAMM		81726	
inspected by	date	Dishwashers		n°/file	mod
validated by	date	total blatt	N° blatt	Next blatt	
		3	1	-2	81804   --

DESCRIZIONE	SOSTITUISCE	DATA
-1 collegamento monofase	81456	15-09-09



	1	2	3	4	5	6	7	8	
<b>CN4/5</b>	0 = on 1 = off								
<b>CN4/4</b>	0/1								
<b>CN4/3</b>	0	0	0	0	1	1	1	1	
<b>CN4/2</b>	0	0	1	1	0	0	1	1	
<b>CN4/1</b>	0	1	0	1	0	1	0	1	
			3						
	off	off	off	off	off	off	off	on	h
<b>C°</b>	82	78	78	78	82	82	82	82	B
<b>C°</b>	60	55	60	60	60	60	60	60	T
<b>sec</b>	71	40	40	40	40	70	40	71	w1
<b>sec</b>	101	100	130	100	100	130	160	101	w2
<b>sec</b>	5	5	5	5	5	5	5	5	p
<b>sec</b>	14	15	15	15	15	15	15	14	R
<b>sec</b>	14	15	15	15	15	15	15	14	Dw
<b>sec</b>	120	120	120	120	120	120	120	120	Td
<b>min</b>	5	5	5	5	5	5	5	5	TT
<b>sec</b>	400	400	400	400	400	400	400	400	TI

90-120      60-120      60-150      60-120      60-120      90-150      60-180      90-120  
RC

DESCRIZIONE	SOSTITUISCE	DATA

re-examined		date	denomination			Codice	
inspected by		date	WIRING DIAGRAMM			81726	
validated by		date	Dishwashers			n°/file	mod
			total blatt	N° blatt	Next blatt	81804	---
			3	2	-3		